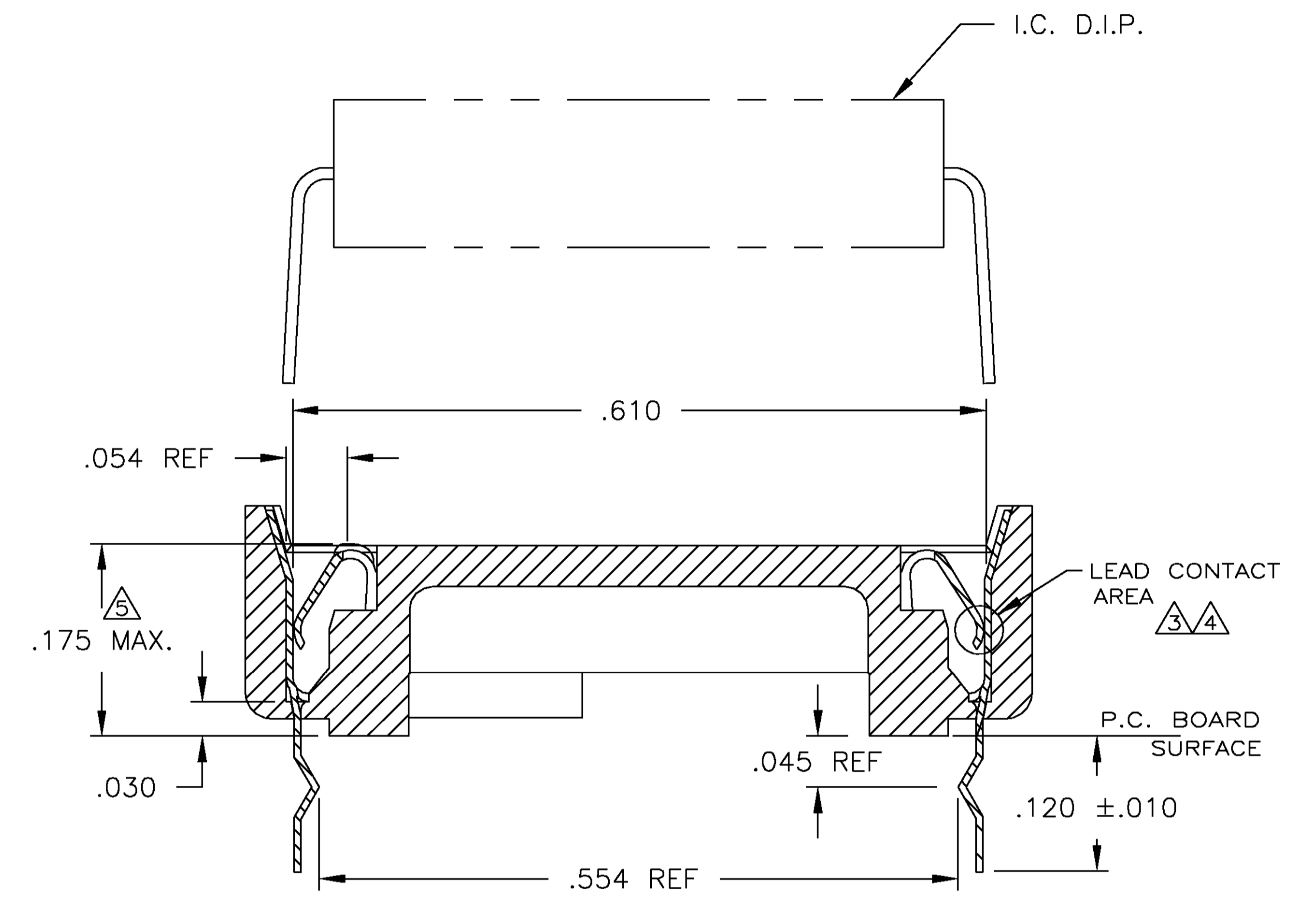
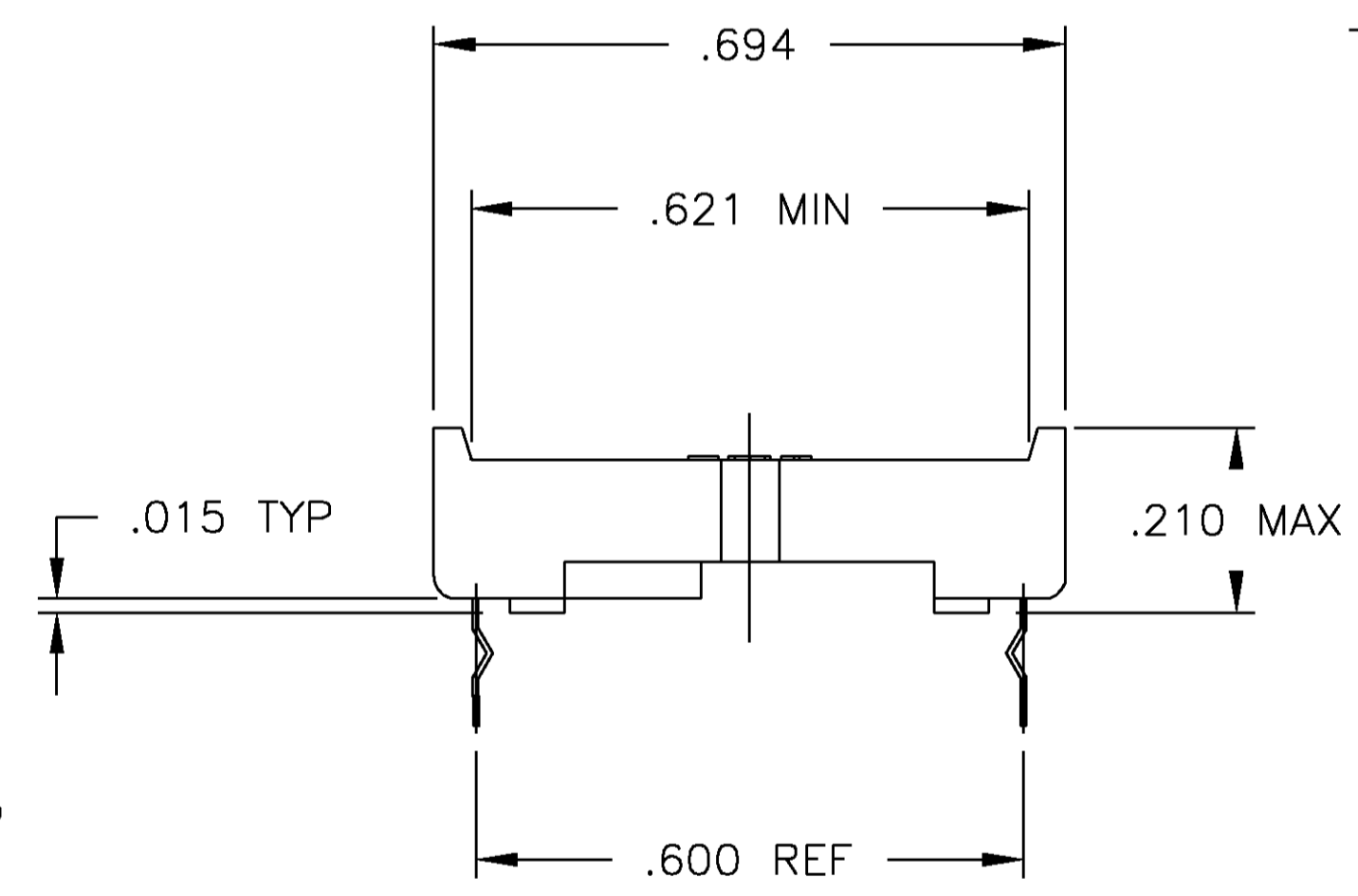
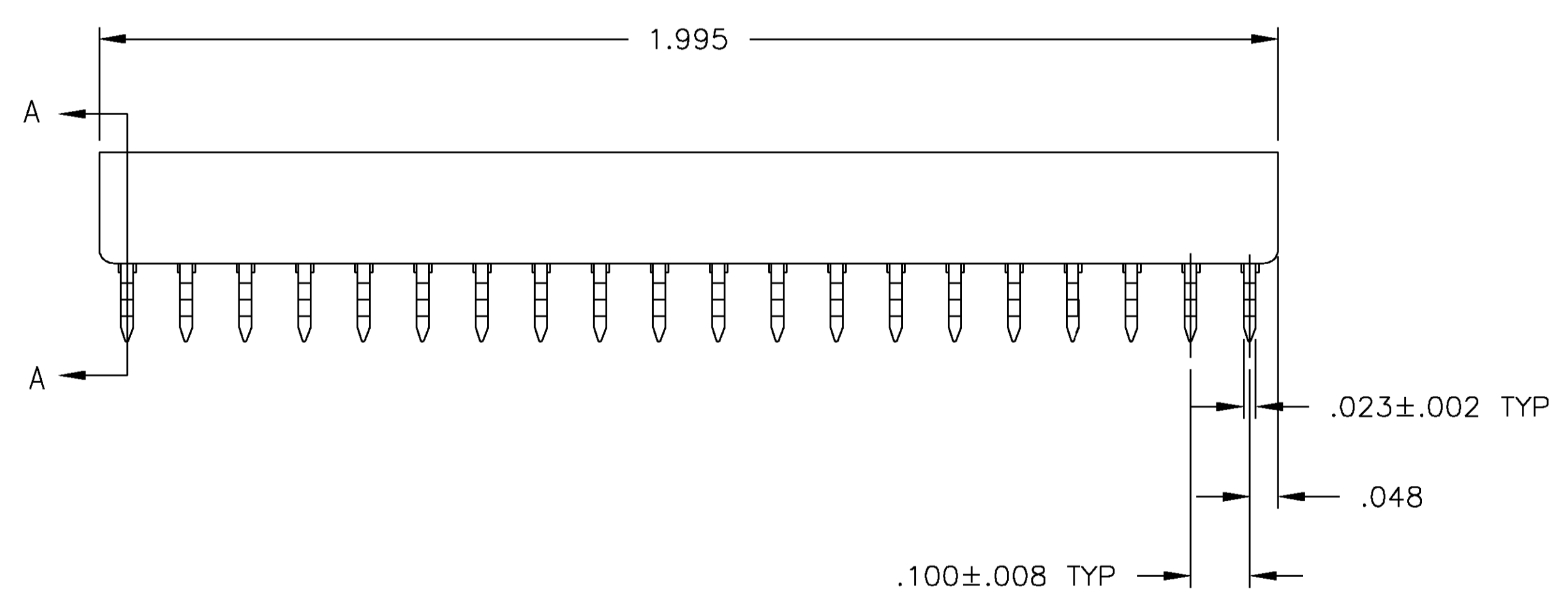
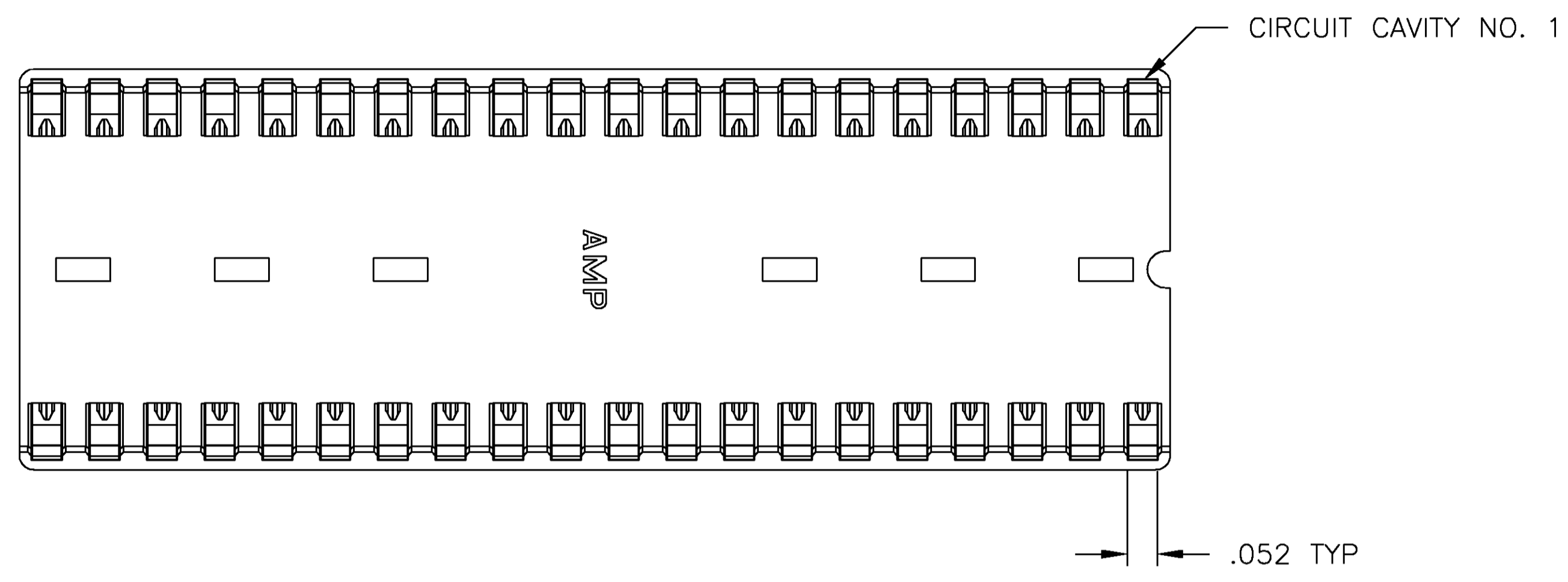
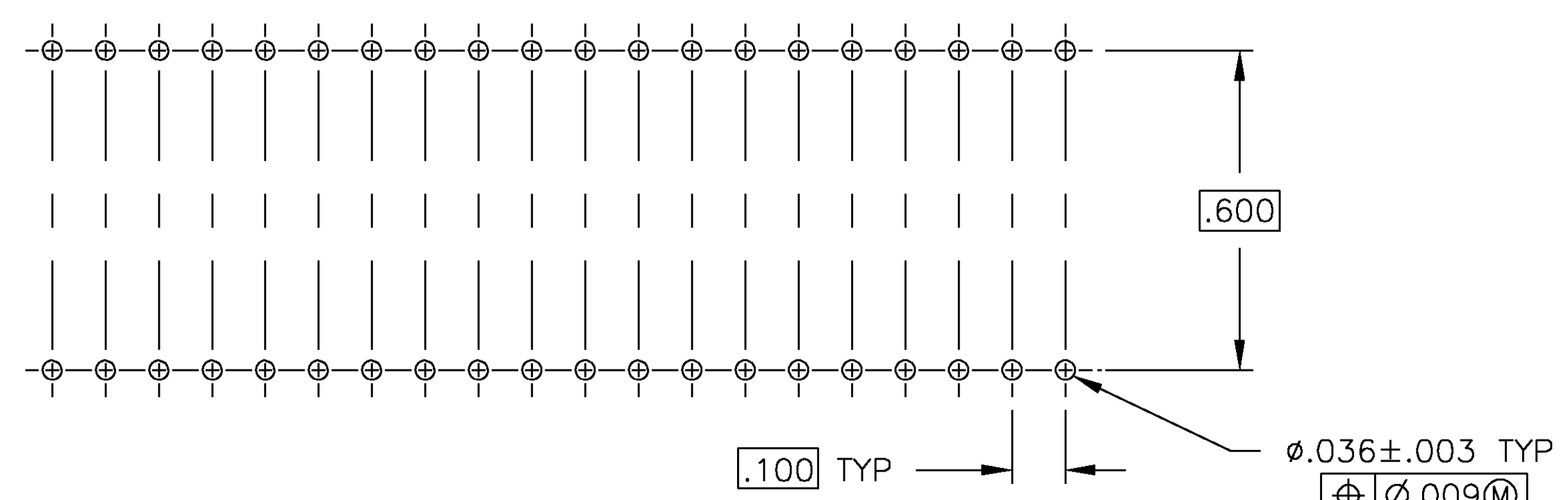


1. RECEPTACLE ACCEPTS A .008-.014 THICK I.C. LEAD.
2. TUBE LOADED.
- ③ TWO .000030 MIN THK. GOLD STRIPES IN CONTACT AREA WITH TIN-LEAD (93/7) ON CONTACT LEGS, BALANCE OF CONTACT NICKEL PLATED.
- ④ TWO .000015 MIN THK. GOLD STRIPES IN CONTACT AREA WITH TIN-LEAD (93/7) ON CONTACT LEGS, BALANCE OF CONTACT NICKEL PLATED.
- ⑤ MAXIMUM DIMENSION FOR I.C. SEATING PLANE.



SECTION A-A
SCALE 10:1



RECOMMENDED MOUNTING HOLE PATTERN
SCALE 4:1

	④	PHOS.BRZ. .006 THK	GLASS-FILLED THERMOPLASTIC, 94V-O, BLACK	2-641268-4
OBSOLETE	TINNED	PHOS.BRZ. .006 THK	GLASS-FILLED THERMOPLASTIC, 94V-O, BLACK	2-641268-3
OBSOLETE	④	BE.CU. .006 THK	GLASS-FILLED THERMOPLASTIC, 94V-O, BLACK	2-641268-2
	TINNED	BE.CU. .006 THK	GLASS-FILLED THERMOPLASTIC, 94V-O, BLACK	2-641268-1
	CONTACT FINISH	CONTACT MAT'L	HOUSING MATERIAL	PART NO.

THIS DRAWING IS A CONTROLLED DOCUMENT.		DWN R BROWN	09JAN01	Tyco Electronics Corporation Harrisburg, PA 17105	
DIMENSIONS: INCHES		CHK H WYNKOOP	25AUG00	AMP H WYNKOOP	
TOLERANCES UNLESS OTHERWISE SPECIFIED:		APVD H WYNKOOP	25AUG00	NAME SOCKET ASSY, DIP, RET LEG, 40 POS, DIPLOMATE™ DL	
0 PLC ± -		PRODUCT SPEC		108-1066	
1 PLC ± -		APPLICATION SPEC		114-1049	
2 PLC ± -		SIZE	CAGE CODE	DRAWING NO	RESTRICTED TO
3 PLC ± .005		114-1049		A1 00779	©=641268
4 PLC ± -		WEIGHT			
ANGLES ± ± -		SEE TABLE			
MATERIAL		FINISH		CUSTOMER DRAWING	
SEE TABLE		SEE TABLE		SCALE 5:1	SHEET 1 OF 1